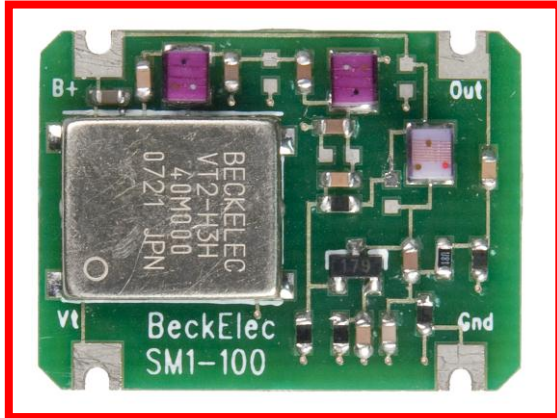


## SM1-100 100 MHz VCTCXO



**100 MHz**

**LOW PHASE NOISE**

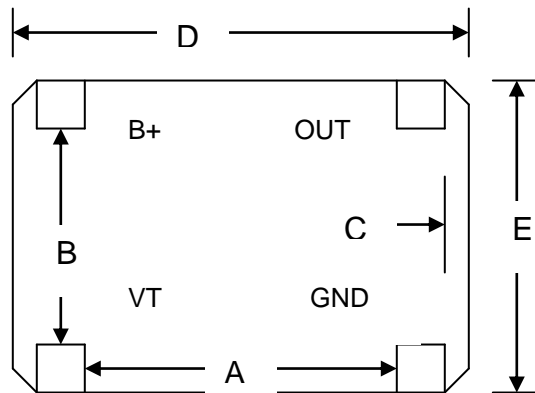
**-150 dBc/Hz @ 10 KHz**

**STABILITIES TO ±0.5 PPM**

**SURFACE MOUNT**

**1.0" x 0.75" x 0.10" Tall**

### FOOTPRINT TOP VIEW



4 pads .10" square

A = 0.65"  
 B = 0.55"  
 C = 0.075"  
 D = 1.0"  
 E = 0.75"

Do not immerse in solvents

### SM1-100 SPECIFICATIONS

FREQUENCY: 100.0 MHz  
 INPUT : 5.0 VDC  
 CURRENT: 20 mA Maximum  
 OUTPUT: 3 dBm Minimum  
 STABILITY vs: ±1.0 PPM  
 TEMPERATURE: 0 to +50°C  
 VOLTAGE TUNE: ±8.0 PPM Minimum  
 0.5 to 4.5 Vdc  
 STORAGE: -40°C to +85°C

### PHASE NOISE (TYPICAL)

-85 dBc/Hz at 10 Hz  
 -120 dBc/Hz at 100 Hz  
 -140 dBc/Hz at 1.0 KHz  
 -147 dBc/Hz at 10.0 KHz  
 -150 dBc/Hz Floor  
 Sub Harmonics: -45 dB at 50 MHz  
 Harmonics: -25 dB at 200 MHz  
 >200 MHz -35 dB or better