

BT32 SERIES VC/TCXO - 3.2 x 2.5 x 1.2mm

Frequency Range		16.000MHz to 40.000MHz
Frequency Stability	vs. Temperature	±5.0 ppm max (see P/N guide)
	vs. Supply Voltage ±5%	±0.2 ppm max
	vs. Load	±0.2 ppm max
	vs. Aging Per Year	±1.0 ppm max
Supply Voltage		2.4V ~ 3.0V
Output		Clipped Sine
Output Load		10kΩ // 10pF
Output Level		0.8V p-p min
Current Consumption		2.0mA max
Temperature Range	Operating	-20 °C to +70 °C or -30 °C to +80 °C
	Storage	-40 °C to +85 °C
Control Voltage		1.5V±1.0V
Tuning Range		±8.0 ppm min
Phase Noise		1kHz offset -130dBc/Hz max
Harmonics		-8dBc max

FREQUENCY STABILITY vs. TEMP (■ - available) (▲ – conditional) (x – not available)

Temp °C / ppm	±1.0	±1.5	±2.0	±2.5	±5.0
-20 ~ +70	■	■	■	■	■
-30 ~ +80	x	x	■	■	■

PART NUMBERING GUIDE

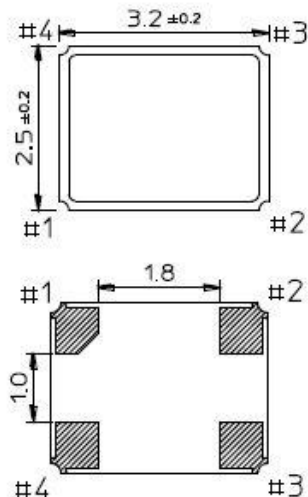
Series	Pin 1	Temp Range	Stability/Temp	Frequency
BT32	Voltage Control = V N/C = Blank	-20 ~ +70 °C = 20 -30 ~ +80 °C = 30	±5.0 = A ±2.5 = B ±2.0 = C ±1.5 = D ±1.0 = E	19M200

For other Tolerance, Stability, and Temperature options please consult factory

Example P/N: BT32 – V – 30 – B – 19M200

To Request a Quote click here - www.beckelec.com/request-a-quote/

MECHANICAL DRAWING



Pin No.	Connection
#1	Vcont / GND
#2	GND
#3	Output
#4	Vcc

